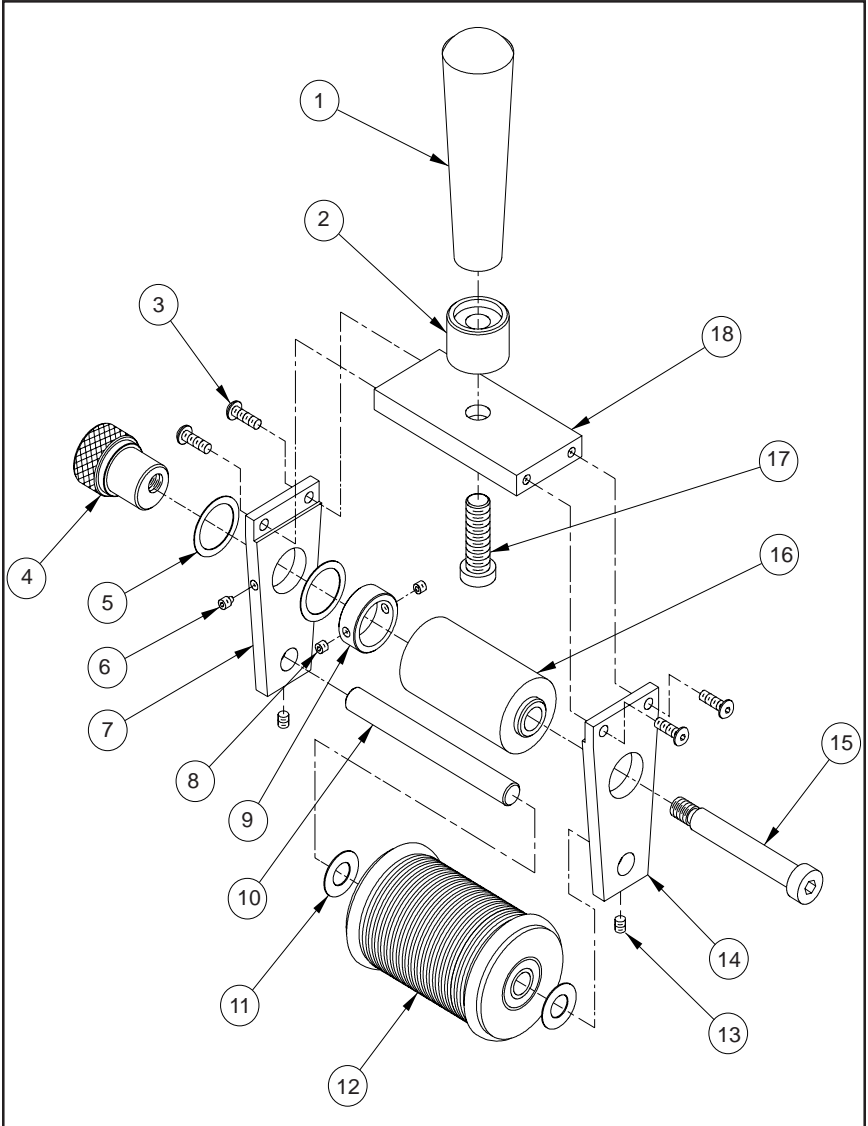


## Parts List

### UNIVERSAL POROUS HAND PRINTERS HP-100NI, HP-200NI & HP-200 SERIES

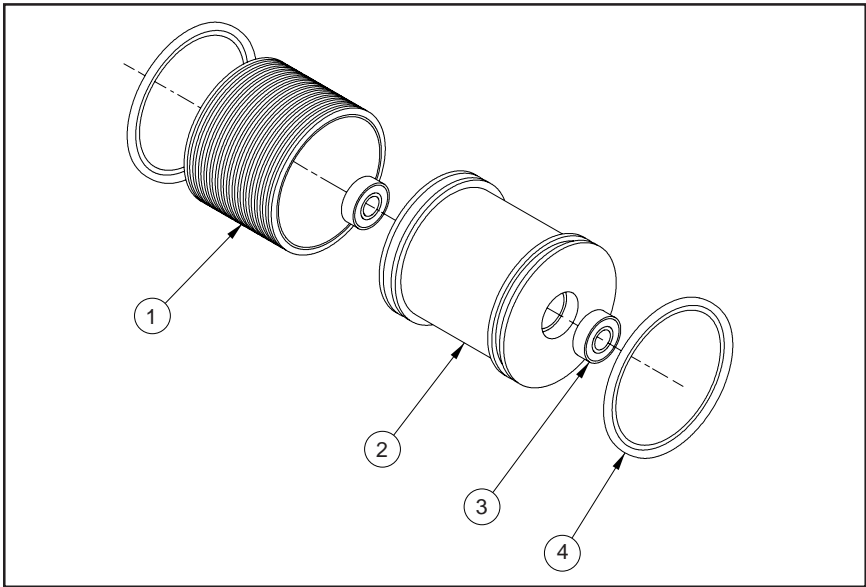
#### POROUS HAND PRINTER ASSEMBLY HP-100NI & HP-200NI SERIES



**POROUS HAND PRINTER PARTS LIST**  
**HP-100NI & HP-200NI SERIES**

KEY NO.	PART NUMBER	QTY. REQ.	DESCRIPTION
1	HP-18	1	BLACK HANDLE
2	HP-17	1	HANDLE BUSHING
3	HP-10	4	SCREW, 8-32 X 1/2" BHC
4	HP-11	1	ECCENTRIC ADJUSTING KNOB
5	HP-42	2	DELTRIN WASHER
6	CF-05	1	SET SCREW, 8-32 X 3/16" S.S. NTS
7	HP-08	1	HP-100NI SIDE FRAME FOR TENSION SCREW
	HP-28	1	HP-200NI SIDE FRAME FOR TENSION SCREW
8	HP-13	2	SET SCREW, 8-32 X 1/8" CPS
9	HP-12	1	LOCKING COLLAR
10	HP-05	1	PRINT DRUM AXLE
11	HP-04	2	3/8" BRASS FLAT WASHER
12	HP-100NI-PDA	1	HP-100NI PRINT DRUM ASSEMBLY
	HP-100NI-PDA-T	1	HP-100NI-T PRINT DRUM ASSY. - METRIC RIBTYPE
	HP-200NI-PDA	1	HP-200NI PRINT DRUM ASSEMBLY
	HP-200NI-PDA-T	1	HP-200NI PRINT DRUM ASSY. - METRIC RIBTYPE
13	HP-06	2	SET SCREW, 8-32 X 3/16" CPS
14	HP-07	1	HP-100NI SIDE FRAME
	HP-27	1	HP-200NI SIDE FRAME
15	HP-14	1	INK ROLLER AXLE
16	HP-100RM	1	MICROCELL INK ROLL - STANDARD
	HP-100RX	1	XF NEOPRENE INK ROLL - OPTIONAL
17	HP-15	1	HANDLE BOLT, 3/8-16 X 1-1/4
18	HP-16	1	BACK FRAME

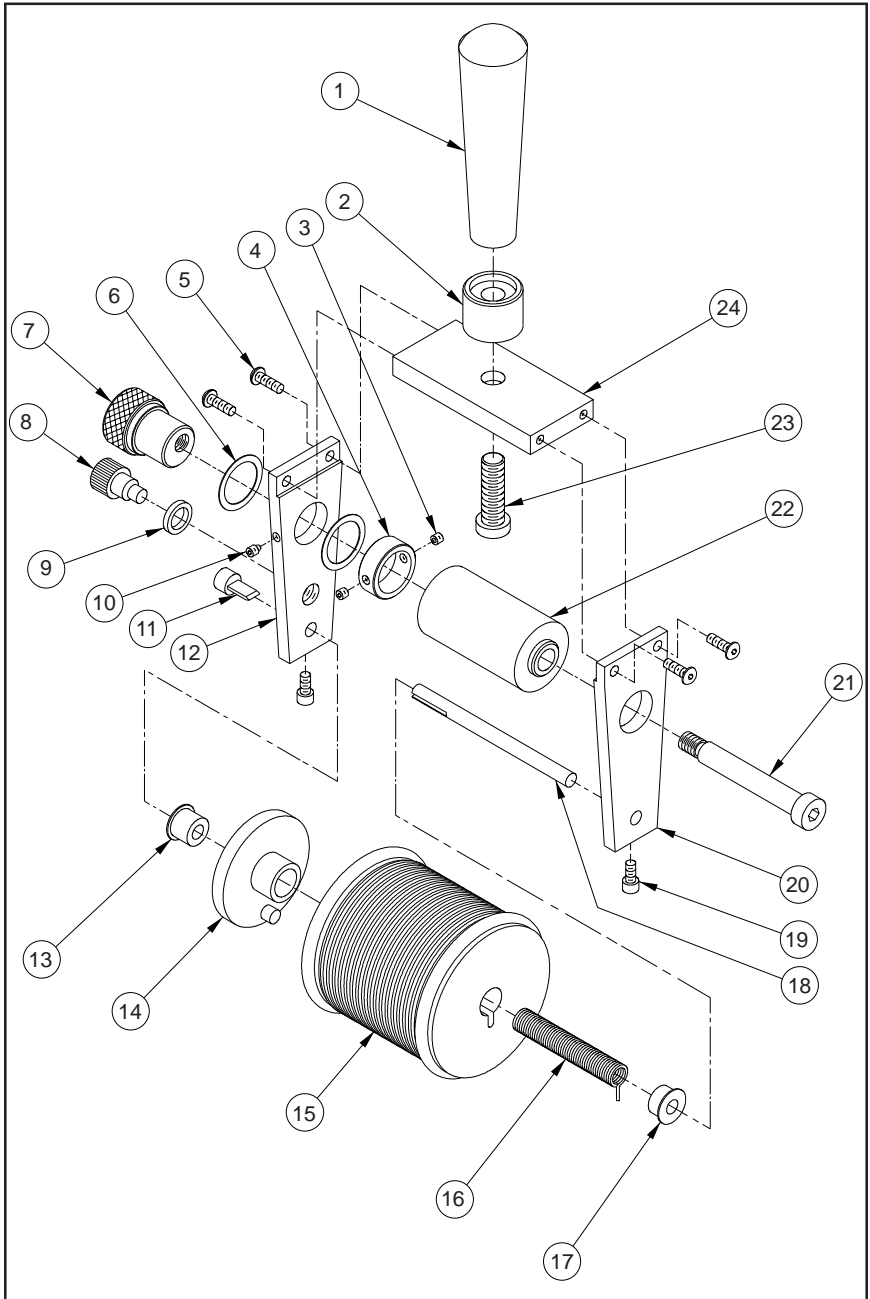
**POROUS HAND PRINTER PRINT DRUM ASSEMBLY  
HP-100NI & HP-200NI SERIES**



**POROUS HAND PRINTER  
PRINT DRUM ASSEMBLY PARTS LIST  
HP-100NI & HP-200NI SERIES**

KEY NO.	PART NUMBER	QTY. REQ.	DESCRIPTION
1	HP-21	1	HP-100NI RIBtype® RING
	MC-21	1	HP-200NI RIBtype® RING
	HP-21T	1	HP-100NI RIBtype® RING - METRIC
	MC-21T	1	HP-200NI RIBtype® RING - METRIC
2	HP-101	1	HP-100NI CENTER TUBE/END CAP ASSY.
	HP-201	1	HP-200NI CENTER TUBE/END CAP ASSY.
	HP-101-T	1	HP-100NI CENTER TUBE/END CAP ASSY - METRIC
	HP-201-T	1	HP-200NI CENTER TUBE/END CAP ASSY - METRIC
3	HP-02	2	PRINT DRUM BEARING
4	HP-03	2	HP-100NI / HP-100NI-T FRICTION BEARER RING
	MC-01	2	HP-200NI / HP-200NI-T FRICTION BEARER RING

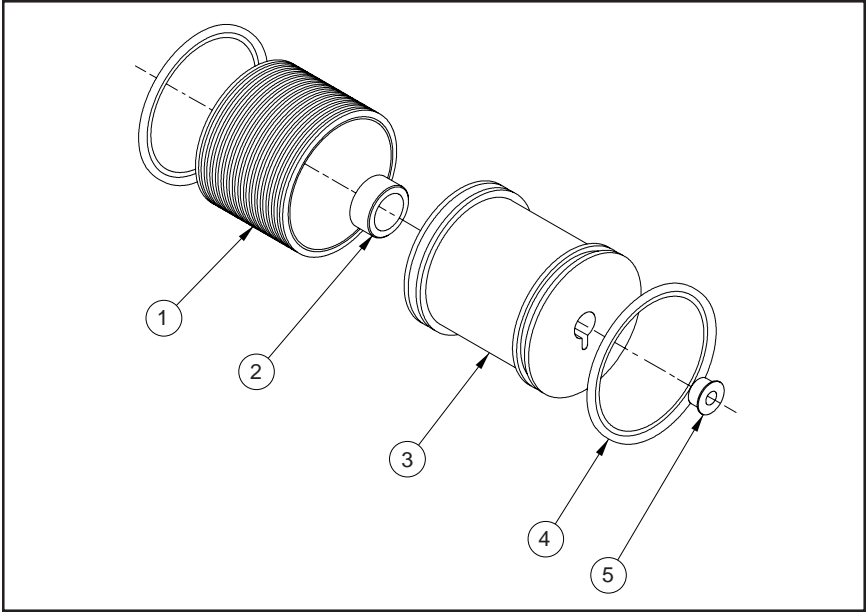
**POROUS HAND PRINTER ASSEMBLY**  
**HP-200 SERIES**



**POROUS HAND PRINTER PARTS LIST**  
**HP-200 SERIES**

KEY NO.	PART NUMBER	QTY. REQ.	DESCRIPTION
1	HP-18	1	BLACK HANDLE
2	HP-17	1	HANDLE BUSHING
3	HP-13	2	SET SCREW, 8-32 X 1/8" CPS
4	HP-12	1	LOCKING COLLAR
5	HP-10	4	SCREW, 8-32 X 1/2" BHC
6	HP-42	2	DELRIN WASHER
7	HP-11	1	ECCENTRIC ADJUSTING KNOB
8	HP-36	1	STOP PIN
9	HP-43	1	STOP PIN WASHER
10	CF-05	1	SET SCREW, 8-32 X 3/16" S.S. NTS
11	HP-41	1	SPRING TENSION ADJUSTER
12	HP-30	1	HP-200 SIDE FRAME FOR TENSION SCREW
13	HP-33	1	INDEX CAM BUSHING
14	HP-22	1	INDEX CAM ASSEMBLY
15	HP-200-PDA	1	HP-200 PRINT DRUM ASSEMBLY
	HP-200-PDA-T	1	HP-200-T PRINT DRUM ASSY. - METRIC RIB TYPE
16	HP-09	1	INDEX SPRING
17	HP-32	1	PRINT DRUM BUSHING "B" - SMALL
18	HP-35	1	PRINT DRUM AXLE - SLOTTED
19	HP-40	2	SCREW, 8-32 X 3/8" SHC
20	HP-29	1	HP-200 SIDE FRAME
21	HP-14	1	INK ROLLER AXLE
22	HP-100RM	1	MICROCELL INK ROLL - STANDARD
	HP-100RX	1	XF NEOPRENE INK ROLL - OPTIONAL
23	HP-15	1	HANDLE BOLT, 3/8-16 X 1-1/4
24	HP-16	1	BACK FRAME

**POROUS HAND PRINTER PRINT DRUM ASSEMBLY  
HP-200 SERIES**



**POROUS HAND PRINTER  
PRINT DRUM ASSEMBLY PARTS LIST  
HP-200 SERIES**

KEY NO.	PART NUMBER	QTY. REQ.	DESCRIPTION
1	MC-21	1	HP-200 RIBtype® RING
	MC-21T		HP-200 RIBtype® RING - METRIC
2	HP-31	1	END CAP "A" BUSHING
3	HP-203	1	HP-200 CENTER TUBE/END CAP ASSEMBLY
	HP-203-T		HP-200-T CENTER TUBE/END CAP ASSEMBLY - METRIC
4	MC-01	2	HP-200 FRICTION BEARER RING
5	HP-32	1	END CAP "B" BUSHING

Pro Pack Solutions, Inc.

Ph: 877-776-7225

Fax: 877-329-7225