

Attach one end of spring (H Figure 2) furnished with feeder, to groove in end of finger rod and attach the other end to the brass screw on the drive arm. See Figure 4.

Attach feed table assembly to machine as you would the flat feed table. The holes (J Figure 2) fit over the two pins (K Figure 2) located on the top edge of the paste pot.

On existing machines without feeder, the belt guard should be reworked as per instructions (see Figure 5) or a suitable belt guard may be purchased at a nominal cost.

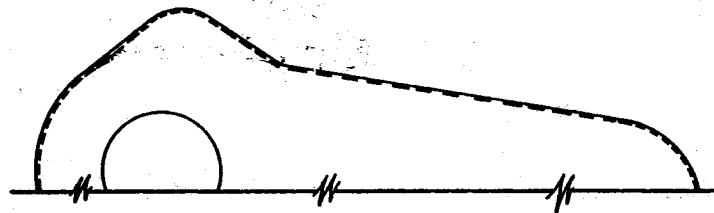
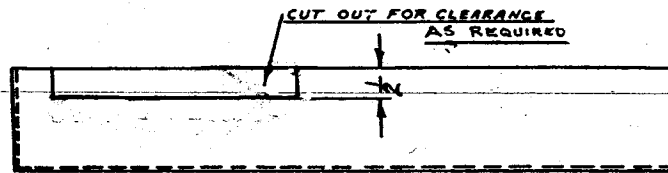


Figure 5

Adjustment of Semi-automatic Feeder

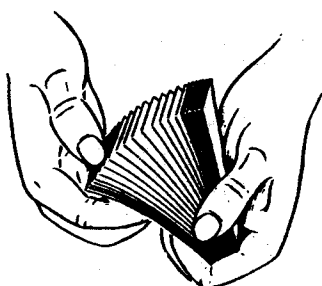


Figure 6

Take about two or three hundred labels and fan them carefully (Figure 6) making sure that none are stuck together by varnish, ink or the rough edges resulting from guillotining or die cutting. Place a piece of cardboard the same size as the labels on the back of the stack (against the unprinted side).



-ALMF-

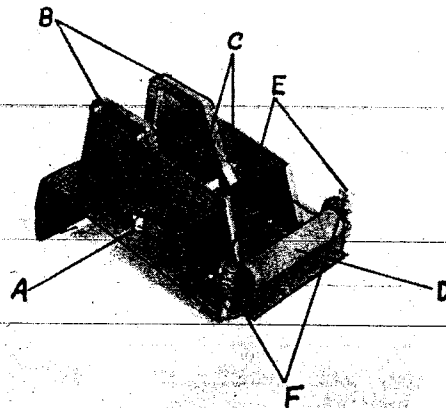


Figure 7

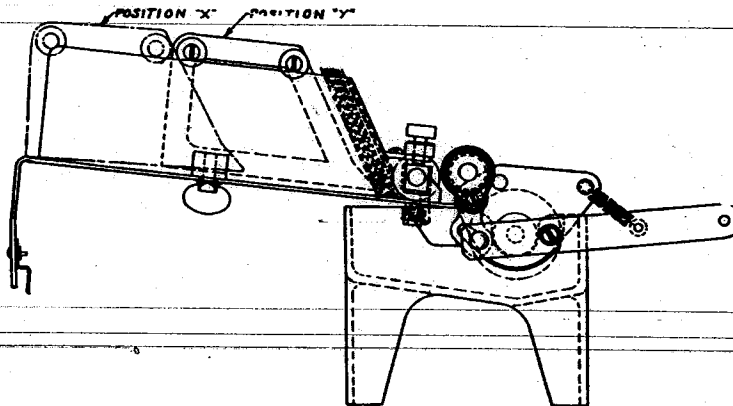


Figure 8

Loosen thumb screws "A" (Figure 7). Slide trolleys "B" (Figure 7) to position "X" (Figure 8). Now adjust side guides "C" (Figure 7) to the same width as the labels, by holding the stack of labels between them. Then tighten thumb screws to hold side guides in place. Holding the stack of labels between the two side guides and down against the feed table with the printed side of the labels toward the feed roller "D" (Figure 7), slide the trolleys "B" (Figure 7) against the cardboard at the rear of the stack of labels (Position Y, Figure 8). Be sure now that the side guides are not holding the labels too tightly.

Press drive arm "E" (Figure 2) down to feed label. This control lever should be held down for only an instant; long enough to feed one label about half the length of the label. When the drive arm is released, the paste roller will cause the rest of the label to feed through. Feed several labels through the machine in this manner watching to see that the labels slide evenly off the stack. If the labels are not feeding satisfactorily adjust the side guides "C" (Figure 7) or the paper feed roller "D" (Figure 7). The feed roller is adjusted by turning the brass knurled adjusting screws "E" (Figure 7) and lock nuts "F" (Figure 7).

As with all feeders, the friction feed, such as that covered herein, will not do all jobs. The size of the label, the stiffness of the label, the printing, varnishing and embossing of the label, the direction of the grain of the paper - all these characteristics affect the feeding.

- ALMF -

Pro Pack Solutions, Inc.
(877) 776-7225
www.ProPackSolutions.com

The reason for adapting the friction type of feeder to the POTDEVIN Label Pasters is quite obvious. It enables you to gain some of the benefits of automatic feeding which you might not be able to enjoy otherwise, because of the very expensive alternate choice - a suction feeder. The POTDEVIN Semi-automatic Feeder is also very simple to install and operate.

When carefully set up and adjusted, this semi-automatic feeder will give you complete satisfaction on 90% of all your label pasting jobs. For those few types of labels that will not feed correctly the semi-automatic feed may be replaced in an instant with the standard feed table and the labels fed through by hand.



Pro Pack Solutions, Inc.

(770) 554-1187
(877) 776-7225