



COLONEL ELECTRIC GLUER PARTS LIST



Effective September 22, 2008 (No changes August 15, 2008)

DIAGRAM NO.	PART NO.	DESCRIPTION	
1	1-20COL	Top Feed Roller - 20" Gluer (Gearless)	
1	1-32COL	Top Feed Roller - 32" Gluer (Gearless)	
2	2-20COL	Bottom Feed Roller - 20" Gluer	
2	2-32COL	Bottom Feed Roller - 32" Gluer	
3	3COL	Bottom Feed Roller Gear (Approx. 2")	
4	4COL	Gear Set Screw	
5	5-20COL	Pressure Feed Rod - 20" Gluer	
5	5-32COL	Pressure Feed Rod - 32" Gluer	
6	6COL	Pressure Feed Rod Lock Knob	
7	7COL	Stop Nut	
8	8COL	Pressure Feed Adjustment Knob	
9	9COL	Bushing (Double Faced)	
10	10-20COL	Glue Application Roller - 20" Gluer	
10	10-32COL	Glue Application Roller - 32" Gluer	
11	11COL	Glue Control Roller Gear (Approx. 2.25")	
12R	12RCOL	Right Bushing (Single Faced)	
12L	12LCOL	Left Bushing (Single Faced)	
13	13-20COL	Glue Pickup Roller - 20" Gluer	
13	13-32COL	Glue Pickup Roller - 32" Gluer	
14	14COL	Double Drive Gear (Single Unit)	
15	15-20COL	Finger (Only) - 20" Gluer	
15	15-32COL	Finger (Only) - 32" Gluer	
15&16	15&16-20COL	Finger & Point Assembly with Screw - 20" Gluer	
15&16	15&16-32COL	Finger & Point Assembly with Screw - 32" Gluer	
16	1CAPT	Pick Off Point	
17	37CAPT	Screw for Finger	
18-20	18-20COL	Brass Finger Rod - 20" Gluer	
18-32	18-32COL	Brass Finger Rod - 32" Gluer	
19	19COL	Calrod Heater Ceramic Plug	
19HC	19HCCOL	Heater Cord	
19A	19ACOL	Calrod Heater White Plastic Plug (Gluer w/serial # starting "590" & up)	
20	20COL	Power Plug	
20PC	20PC	Power Cord	
21	21COL	Motor - 1/3 HP 115 volts AC	
22	22COL	Variable Speed Pulley	
22A	22ACOL	Fixed Pulley - 3"	
22B	22BCOL	Fixed Pulley -3.5"	
23	23COL	Allen Screw	
24	24COL	Motor Speed Control Mounting Plate with Knob	
25&26	25&26COL	Motor Mounting Bolt & Washer	
27	27COL	Drive Belt (3L270)	
28	28COL	Flywheel Collar (Only)	
28&29	28&29COL	Flywheel with Pinion Gear & Collar	
30	30COL	Eccentric Shaft & Adjusting Nut	

Distributed by:
 Pro Pack Solutions, Inc.
 2421B Lance Court
 Loganville, GA 30052

Telephone:(770)554-1187
 Fax:(770)554-8284

E-Mail:sales01@propacksolutions.com



COLONEL ELECTRIC GLUER PARTS LIST

Effective September 22, 2008 (No changes August 15, 2008)

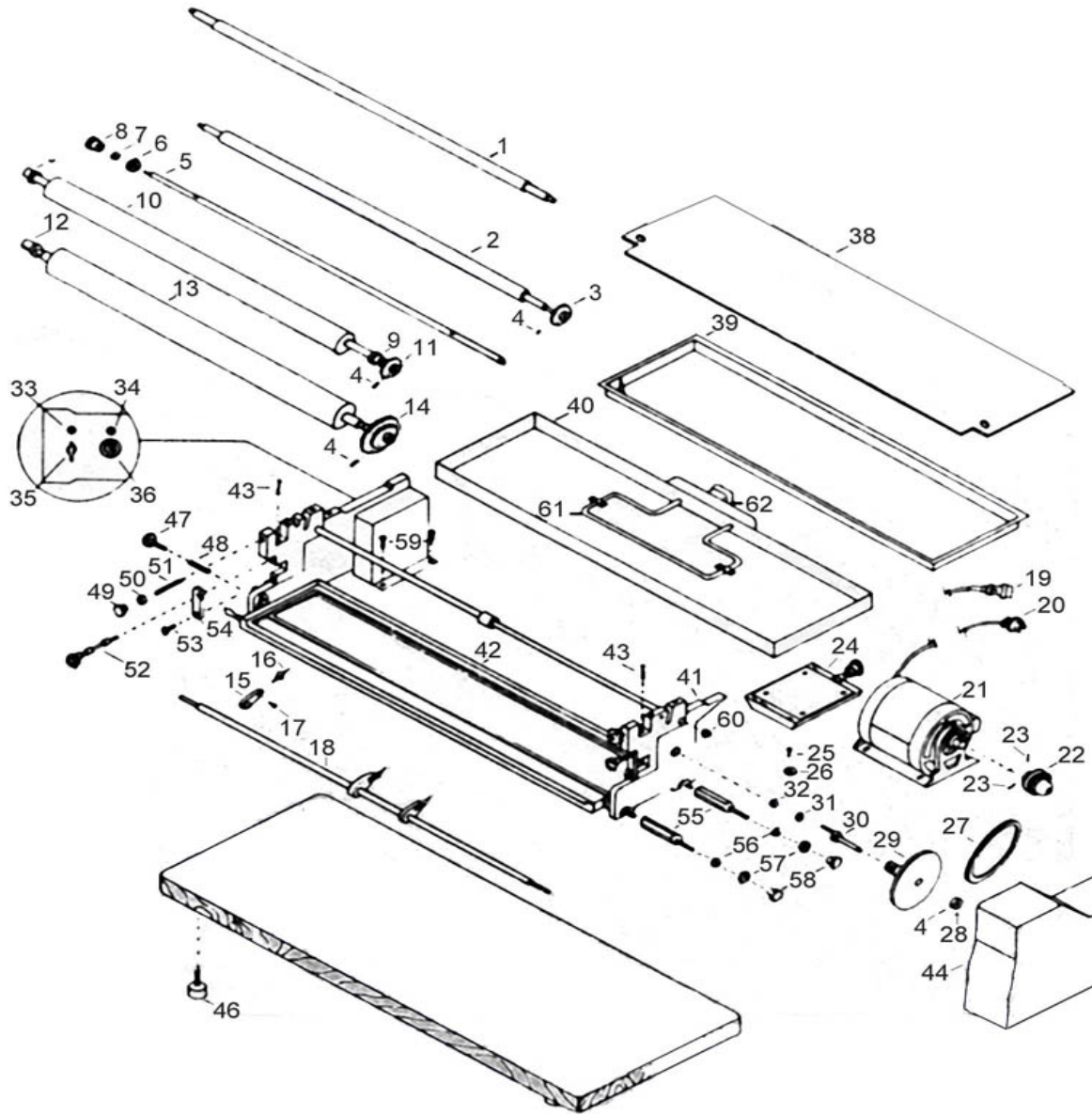
DIAGRAM NO.	PART NO.	DESCRIPTION	
31&32	31&32COL	Eccentric Shaft Washer & Locknut	
33	33COL	Indicator Lamp for Motor	
34	34COL	Indicator Lamp for Heater	
35	35COL	On/Off Knob for Motor	
36	36COL	Temperature Control Knob for Heater	
Not Shown-35A	35ACOL	Motor Switch	
Not Shown-36A	36ACOL	Temperature Control Switch, 115 Volts	
	36ACOL-220	Temperature Control Switch, 220/230 volts	
37	37COL	Cover Knob	
38-20	38-20COL	Standard Cover Plate - 20" Gluer (10.25" Depth)	
38-20L	38-20LCOL	Large Cover Plate - 20" Gluer (19.5" Depth)	
38-32	38-32COL	Standard Cover Plate - 32" Gluer (10.25" Depth)	
38-32L	38-32LCOL	Large Cover Plate - 32" Gluer (19.5" Depth)	
39-20	39-20COL	Glue Tray for 20" Gluer	
39-32	39-32COL	Glue Tray for 32" Gluer	
40-20	40-20COL	Calrod Heater & Hot Water Tray - 20" Gluer	
40-32	40-32COL	Calrod Heater & Hot Water Tray - 32" Gluer	
41-20	41-20COL	Main Frame with Support Crossbar & Hub - 20" Gluer	
41-32	41-32COL	Main Frame with Support Crossbar & Hub - 32" Gluer	
42-20	42-20COL	Glue Tray Platform with handle - 20" Gluer	
42-32	42-32COL	Glue Tray Platform with handle - 32" Gluer	
43	20CAPT	Tension Spring for Glue Application Roller	
44	44COL	Drive Guard Cover	
45-20	45-20	Wood Platform Base for 20" Gluer	
45-32	45-32	Wood Platform Base for 32" Gluer	
46	46COL	Platform Foot Support	
47	47COL	Glue Tray Positioning Knob	
48	48COL	Pressure Spring & Ball Bearing	
49,50,&51	49,50,+51COL	Glue Control Knob, Locknut & Tapered Shaft	
52	52COL	Finger Rod Mounting Knob & Support	
53	53COL	Bushing Cover Bolt	
54	54COL	Bushing Retention Plate	
55	55COL	Drive Guard Cover Support Posts	
56&57	56+57COL	Guard Limit Locknut & Support Plate	
58	58COL	Drive Guard Cover Knob	
59	59COL	Switch Cover Mounting Screw	
60	60COL	Cross Bar Mounting Nut	
61	61COL	Calrod Heater Element (without Male Connector)	
62	62COL	Male Connector for Calrod Heater Plug (Ceramic - Part# 19)	
62A	62ACOL	Male Connector for Calrod Heater Plug (White Plastic - Part # 19A)	
Not Shown	10A-20COL	Roller Guard for 20" Gluer	
Not Shown	10A-32COL	Roller Guard for 32" Gluer	

Distributed by:
 Pro Pack Solutions, Inc.
 2421B Lance Court
 Loganville, GA 30052

Telephone:(770)554-1187
 Fax:(770)554-8284

E-Mail:sales01@propacksolutions.com

COLONEL SCHEMATIC DIAGRAM



Distributed by:
Pro Pack Solutions, Inc.
2421B Lance Court
Loganville, GA 30052

Telephone:(770)554-1187
Fax:(770)554-8284

E-Mail:sales01@propacksolutions.com